

GLEASON Beam • Master™ SERIES I130-s

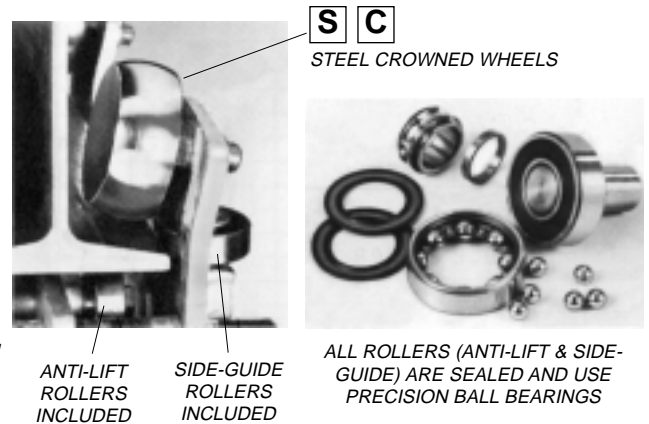
SINGLE Clamp

- FLAT, ROUND OR MIXED CABLE/HOSE
- CROWNED 4" DIA. STEEL WHEELS STANDARD
- ANTI-LIFT & SIDE GUIDE ROLLERS STANDARD
- SEALED BALL BEARINGS STANDARD

- MAX SADDLE DIAMETER = 18.12"
- MAX TROLLEY LOAD = 700 lbs.
- TRAVEL SPEEDS TO 650 fpm
- ACCELERATION—Consult us if over 2.0 ft/sec².
- TRAVEL LENGTHS UNLIMITED

Standard Trolley Design

- Crowned 4" steel wheels with side guide rollers.
- Anti-lift rollers
- Sealed bearings are pre-lubricated for life
- Tow trolley included as standard
- Zinc plated hardware
- Orange baked polyester powder finish
- Heavy duty bumpers
- Typical mounting on S5 or larger beams— contact us for special situations
- Cable clamp allows cable pkg height to vary up to 0.63"



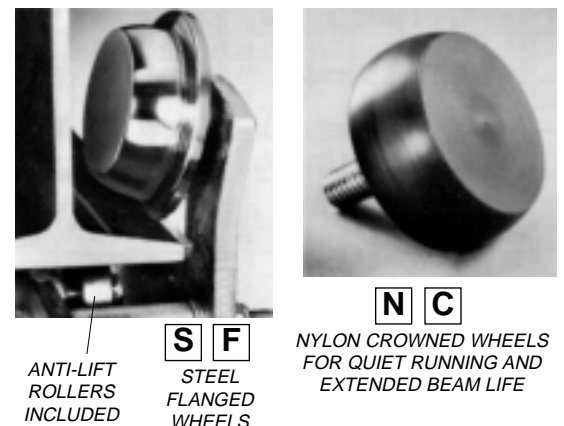
Model Number Explained

For STANDARD DESIGN, specific model numbers are on the following page.

Standard Intermediate Trolley*							Std. Hdwr.	Std. Wheels**	Your Beam**	
TYPE	CLAMP STYLE	SADDLE DIAMETER	WINDOW HEIGHT	WINDOW WIDTH	ITEM	HARDWARE MATERIAL	WHEEL MAT'L	WHEEL STYLE	WHEEL LUBE	
#I130	S	10	- 33	04	I	Z	S	C	P	<input type="checkbox"/> <input type="checkbox"/> <input type="checkbox"/> x <input type="checkbox"/> <input type="checkbox"/> <input type="checkbox"/>
Chosen by computer						Hdwr Option	Wheel Options			Minimum Beam Height = 5.0"
Options you select						S STAINLESS	N NYLON	F FLANGED	G REGREASE	**Not applicable to end clamps
* Example above is for INTERMEDIATE TROLLEY (I) Use same option changes (at right) for other components as required.										

Optional Design Features

CODE	OPTION
F	FLANGED (STEEL ONLY) WHEELS WITH ANTI-LIFT ROLLERS
N	CROWNED NYLON WHEELS WITH SIDE GUIDE ROLLERS
G	RE-GREASABLE BEARINGS ON MAIN WHEELS
S	STAINLESS STEEL HARDWARE
<input type="checkbox"/>	OTHER FINISHES AVAILABLE – PLEASE CONTACT US
<input type="checkbox"/>	PRE-ASSEMBLY ON SHIPPING FRAME AVAILABLE



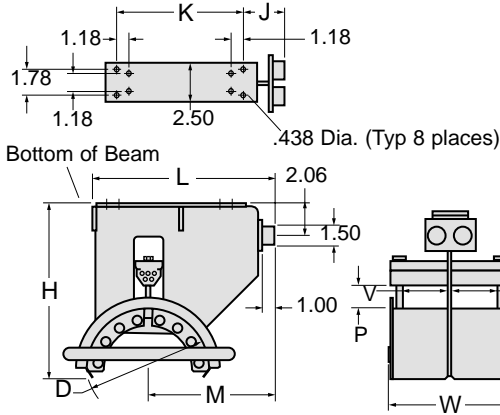
Accessories See detail pages at back of catalog

- CABLE CLAMPS
- SHOCK CORDS
- CABLE, ROUND OR FLAT; HOSE
- TERMINAL BOX(ES)
- TY-RAPS
- CABLE GLANDS FOR SINGLE CABLES OR GROUPS
- TOW ROPES
- TERMINAL BLOCKS

Series I130-s Components & Dimensions

Single Clamp Design—Contact us for multiple tier requirements

All dimensions in inches unless otherwise specified.

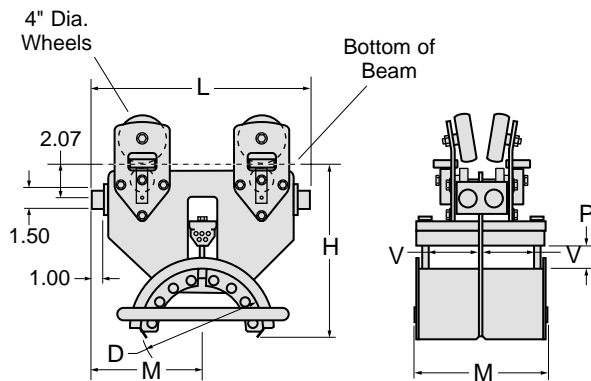


End Clamp *One Required*

Model Number w/ Std Hardware	Saddle Radius R	Saddle Dia. D	Window Height P	Window Width* V	Overall Length L	Overall Width W	Below Beam H	Saddle Locator M	Mtg. Locator J	Bolts K
I130-S10-3304E-Z	5.13	10.25	3.38	4.38	12.75	11.44	13.22	9.31	4.81	6.69
I130-S10-3306E-Z	5.13	10.25	3.38	6.19	12.75	15.06	13.22	9.31	4.81	6.69
I130-S14-1404E-Z	7.06	14.12	1.44	4.38	15.31	11.44	13.22	10.72	3.44	10.63
I130-S14-1406E-Z	7.06	14.12	1.44	6.19	15.31	15.06	13.22	10.72	3.44	10.63
I130-S18-1804E-Z	9.06	18.12	1.81	4.38	18.63	11.44	16.09	13.47	3.19	14.19
I130-S18-1806E-Z	9.06	18.12	1.81	6.19	18.63	15.06	16.09	13.47	3.19	14.19

Fits all beam sizes.

* Window width each side of frame plate.

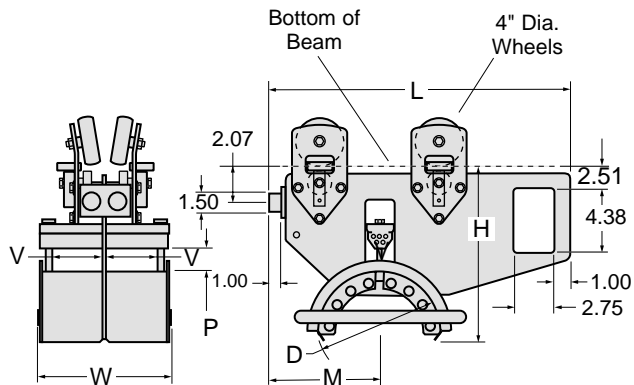


Intermediate Trolley *Quantity as Required*

Model Number w/ Std Hardware & Wheels	Saddle Radius R	Saddle Dia. D	Window Height P	Window Width* V	Overall Length L	Overall Width W	Below Beam H	Saddle Locator M
I130-S10-3304I-Z-SCP-□	5.13	10.25	3.38	4.38	17.88	11.44	13.07	8.94
I130-S10-3306I-Z-SCP-□	5.13	10.25	3.38	6.19	17.88	15.06	13.07	8.94
I130-S14-1404I-Z-SCP-□	7.06	14.12	1.44	4.38	17.88	11.44	13.07	8.94
I130-S14-1406I-Z-SCP-□	7.06	14.12	1.44	6.19	17.88	15.06	13.07	8.94
I130-S18-1804I-Z-SCP-□	9.06	18.12	1.81	4.38	22.59	11.44	15.94	11.29
I130-S18-1806I-Z-SCP-□	9.06	18.12	1.81	6.19	22.59	15.06	15.94	11.29

Your beam size must be added to complete model number. See previous pages.

* Window width each side of frame plate.

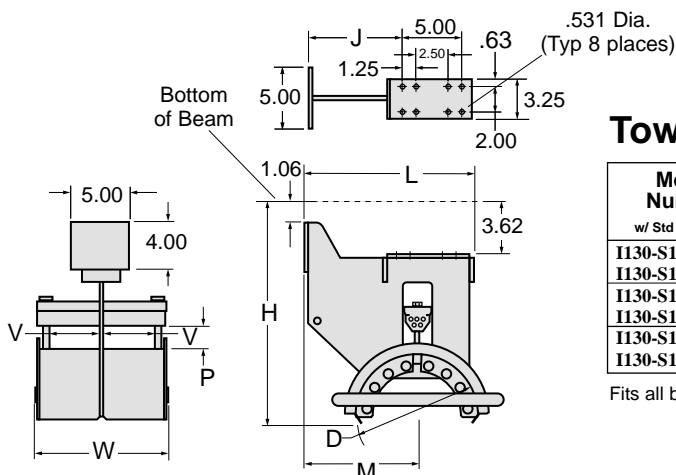


Tow Trolley *Standard...One Required*

Model Number w/ Std Hardware & Wheels	Saddle Radius R	Saddle Dia. D	Window Height P	Window Width* V	Overall Length L	Overall Width W	Below Beam H	Saddle Locator M
I130-S10-3304T-Z-SCP-□	5.13	10.25	3.38	4.38	20.19	11.44	13.07	8.94
I130-S10-3306T-Z-SCP-□	5.13	10.25	3.38	6.19	20.19	15.06	13.07	8.94
I130-S14-1404T-Z-SCP-□	7.06	14.12	1.44	4.38	22.19	11.44	13.07	10.31
I130-S14-1406T-Z-SCP-□	7.06	14.12	1.44	6.19	22.19	15.06	13.07	10.31
I130-S18-1804T-Z-SCP-□	9.06	18.12	1.81	4.38	25.50	11.44	15.94	13.09
I130-S18-1806T-Z-SCP-□	9.06	18.12	1.81	6.19	25.50	15.06	15.94	13.09

Your beam size must be added to complete model number. See previous pages.

* Window width each side of frame plate.



Tow Clamp *Optional...Replaces Tow Trolley (one required)*

Model Number w/ Std Hardware	Saddle Radius R	Saddle Dia. D	Window Height P	Window Width* V	Overall Length L	Overall Width W	Below Beam H	Saddle Locator M	Mtg. Locator J
I130-S10-3304C-Z	5.13	10.25	3.38	4.38	11.91	11.44	16.44	8.44	5.94
I130-S10-3306C-Z	5.13	10.25	3.38	6.19	11.91	15.06	16.44	8.44	5.94
I130-S14-1404C-Z	7.06	14.12	1.44	4.38	14.50	11.44	16.62	9.94	7.44
I130-S14-1406C-Z	7.06	14.12	1.44	6.19	14.50	15.06	16.62	9.94	7.44
I130-S18-1804C-Z	9.06	18.12	1.81	4.38	17.84	11.44	19.50	12.69	10.19
I130-S18-1806C-Z	9.06	18.12	1.81	6.19	17.84	15.06	19.50	12.69	10.19

Fits all beam sizes.

* Window width each side of frame plate.