

Series UH Hose Reels

Dual Hose - Oxygen/Acetylene



Rugged, dependable and trouble free, these reels are designed for general shop use. They can be mounted wherever most convenient; on carts, walls, poles, or ceilings. They offer safety, easy mobility and maximum efficiency. A slight tug on the hoses releases the ratchet and the hoses are automatically retrieved onto the reel where they are out of the way, off the floor, and safe from accidental damage.

Features include:

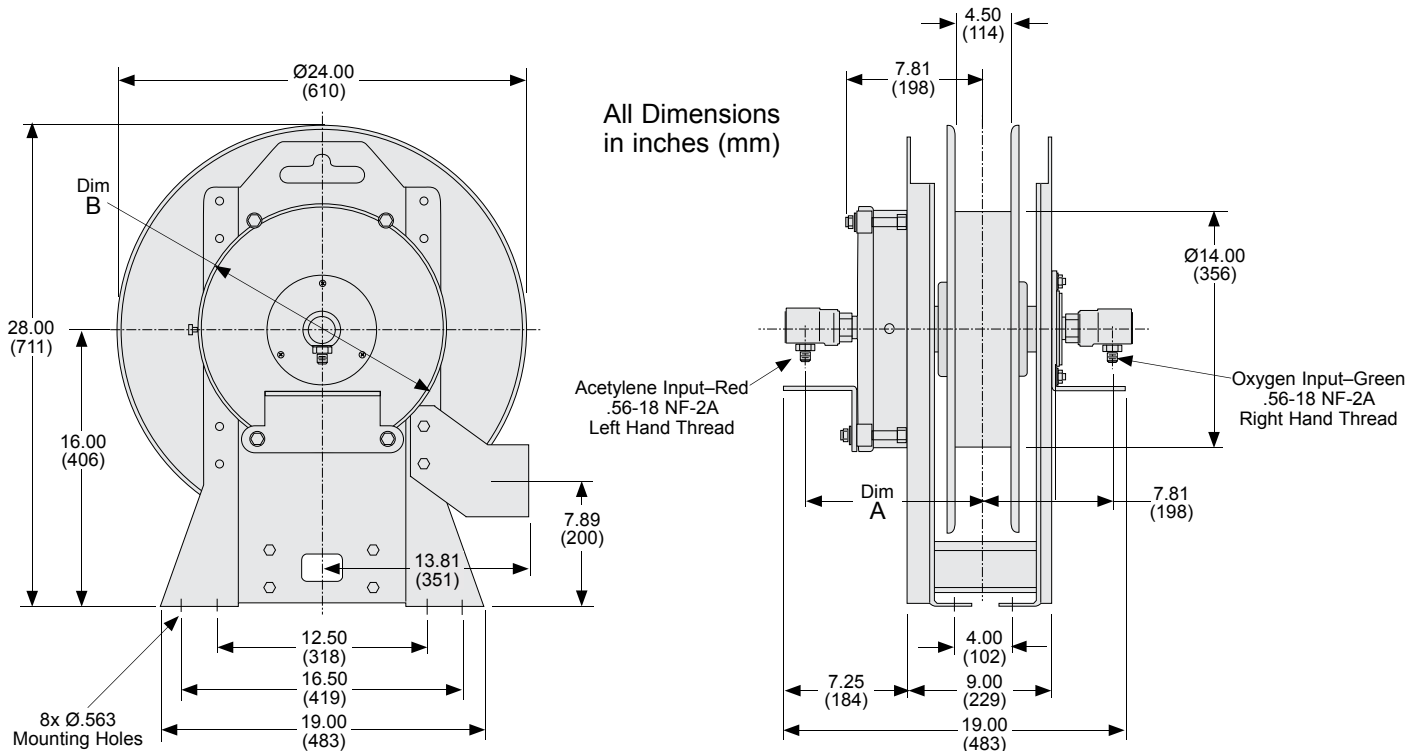
- Rugged "UH" frame design
- All steel construction
- Prelubricated ball bearings throughout
- Hose guide with rollers
- Baked polyester finish
- Full unimpeded gas flow
- Color coded swivels
- Holding ratchet



Model UH60 oxygen-acetylene reel.
Hose guide with rollers is standard.

CATALOG No.	REEL CAPACITY (Hose NOT Included)*	Dim "A"	Dim "B"	Weight lbs (kg)
UH60-4-4-144524	60 feet 1/4" I.D. Twin Welding Hose, 2 Braid	10.18 (259)	10.59 (269)	140 (48)
UH62-4-4-144524	100 feet 1/4" I.D. Twin Welding Hose, 2 Braid	10.68 (271)	14.34 (364)	150 (63)
UH60-5-5-144524	60 feet 5/16" I.D. Twin Welding Hose, 2 Braid	10.18 (259)	10.59 (269)	140 (48)
UH62-5-5-144524	100 feet 5/16" I.D. Twin Welding Hose, 2 Braid	10.68 (271)	14.34 (364)	150 (63)
UH60-6-6-144524	60 feet 3/8" I.D. Twin Welding Hose, 2 Braid	10.18 (259)	10.59 (269)	140 (48)
UH62-6-6-144524	100 feet 3/8" I.D. Twin Welding Hose, 2 Braid	10.68 (271)	14.34 (364)	150 (63)

*Hose may be ordered from Gleason and factory installed. Consult factory.



GLEASON REEL CORP.
P.O. Box 26 • 600 South Clark St.
Mayville, WI 53050-0026
Phone 920-387-4120
Fax 920-387-4189