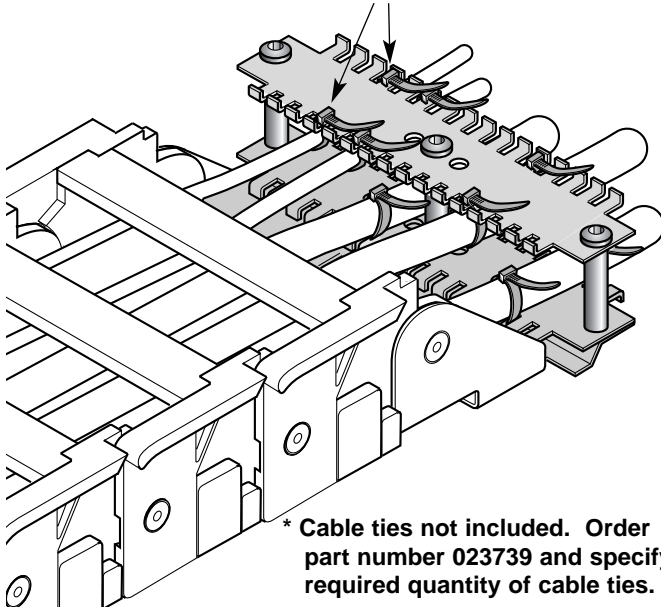


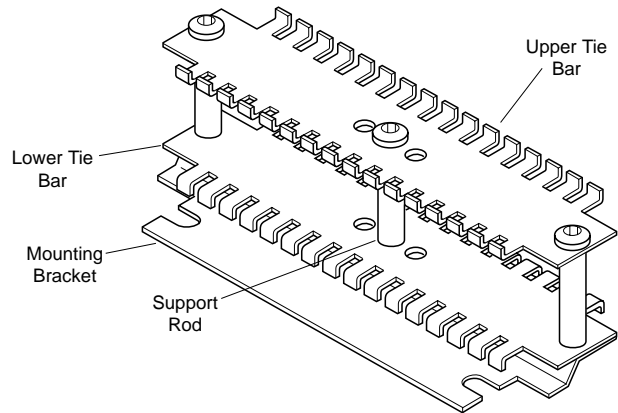
# GLEASON **PowerTrak<sup>®</sup> GRP** HEAVY DUTY CABLE/HOSE TIE BRACKET

Two ties on each cable/hose for increased holding power.\*



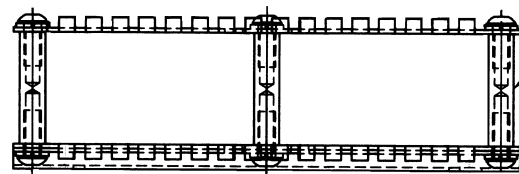
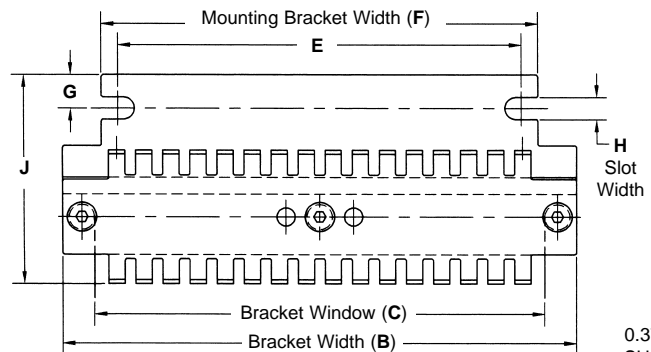
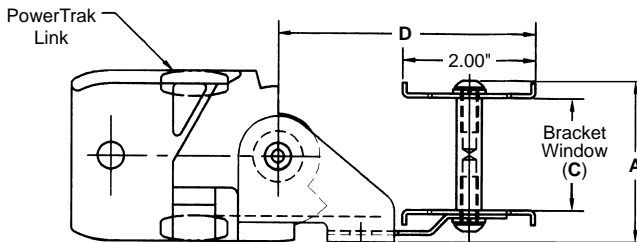
\* Cable ties not included. Order part number 023739 and specify required quantity of cable ties.

- Affixes hoses or cables at ends of GRP PowerTrak to prevent undue wear or stress.
- Dual tie system holds cables or hoses more securely than single ties. Ties available separately.\*
- Five sizes. Fits five popular GRP PowerTraks. May also be used on selected steel PowerTrak.
- Rugged baked polyester finished steel for long life.
- Zinc plated hardware.



### INSTALLATION

1. Use one tie bracket on each end of PowerTrak.
2. Remove upper tie bar.
3. Mount tie brackets on bolts which secure PowerTrak.
4. Secure a portion of the cable/hose package to the lower tie bar using two cable ties for each cable or hose.
5. Reinstall upper tie bar to bracket assembly.
6. Secure remaining cables/hoses to upper tie bar.



0.375" dia. SUPPORT ROD  
(Brackets for PowerTrak models 252P-II & 252P-I have two support rods)

All dimensions in inches.

PART NO.	POWERTRAK MODEL	CABLE/HOSE MAX. O.D.	A	B	C Ht. x Wd.	D	E	F	G	H	J
04369005	354P	2.12	3.26	9.60	2.50 x 8.66	7.18	6.84 ± 0.68	7.96	0.88	0.438	3.81
04369004	263P	1.46	2.40	7.20	1.65 x 6.26	6.18	5.08 ± 0.62	6.11	0.63	0.406	3.44
04369003	252P-III	1.46	2.38	7.60	1.65 x 6.66	3.87	5.96 ± 0.16	6.45	0.50	0.344	3.15
04369002	252P-II	1.46	2.38	5.20	1.65 x 4.26	3.87	3.62 ± 0.16	4.11	0.50	0.344	3.15
04369001	252P-I	1.46	2.38	3.60	1.65 x 2.66	3.87	1.96 ± 0.16	2.45	0.50	0.344	3.15



### Gleason Reel Corp.

P.O. Box 26, 600 S. Clark St.  
Mayville, Wisconsin 53050-0026  
Phone 920-387-4120 • FAX 920-387-4189