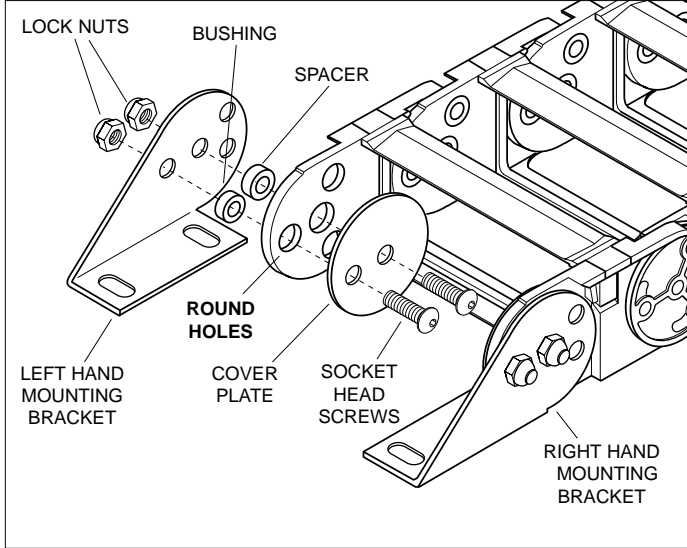


INSTALLATION INSTRUCTIONS

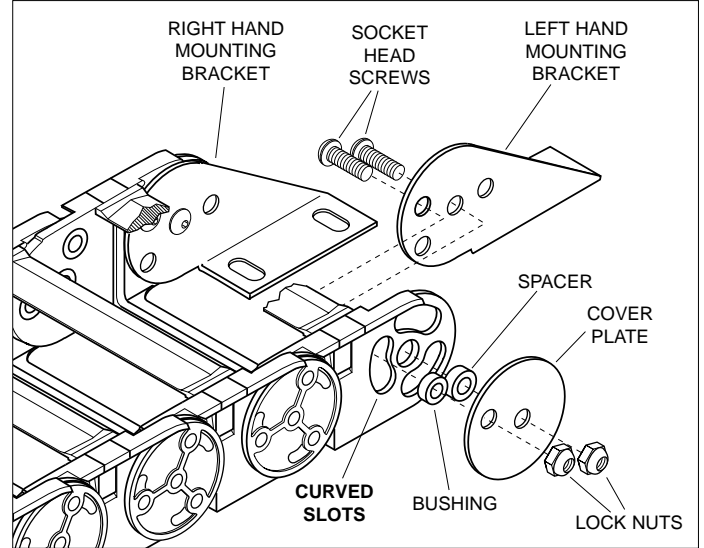
263P/354P POWERTRAK MOUNTING BRACKET KITS

Part No. 033342 for 263P PowerTrak...Part No. 033343 for 354P PowerTrak

Each Mounting Bracket Kit includes two left hand brackets and two right hand brackets, four cover plates, four bushings, four spacers, and all hardware required for attaching brackets to PowerTrak. Study these instructions carefully to learn where each bracket, bushing and spacer goes. Hardware for affixing PowerTrak to support is not included.



FIXED END of POWERTRAK



MOVING END of POWERTRAK

INSTALLATION

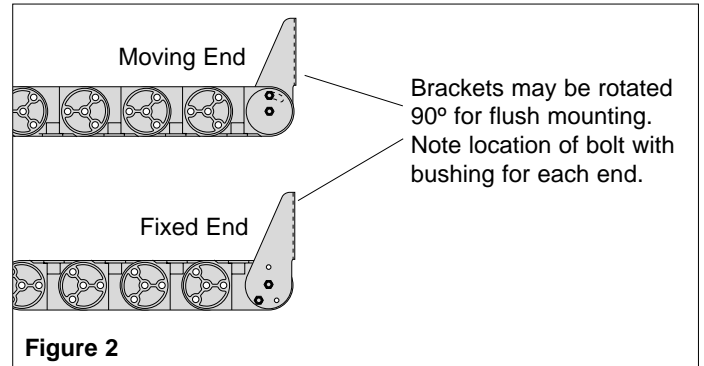
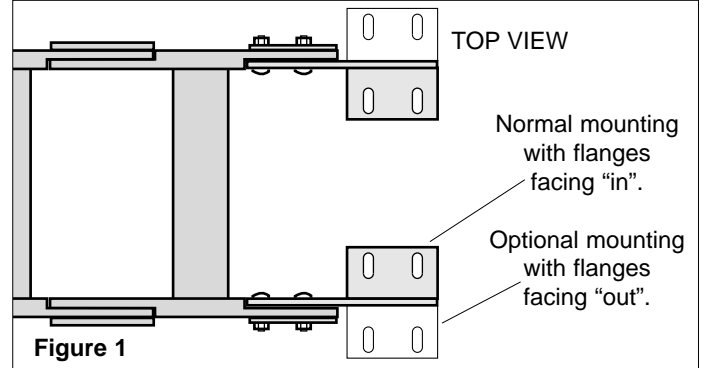
1. Identify all parts in kit:
 - A. Brackets are either left hand or right hand as shown in illustrations above.
 - B. Bushings have a slightly smaller outside diameter than the spacers. The spacers fit snugly into the center hole and will not fit into the three outer holes nor the kidney shaped slots. The bushings, however, fit snugly into the outer holes and slots (loose in center hole). Be sure to use spacers in center hole only and bushings only in the holes (fixed end) or slots (moving end).
2. Assemble per illustrations above.

CAUTION

Heads of socket head screws must be toward inside of PowerTrak, as shown, to prevent interference with cable or hose.

NOTES:

- A. Brackets may also be mounted with flanges facing outward, if required (Fig. 1).
- B. In certain applications, brackets must be mounted perpendicular (90°) to track links (Fig 2). Note that alternate holes are used for the bolts with bushings as shown at right.



Gleason Reel Corp.

P.O. Box 26, 600 S. Clark St.
 Mayville, Wisconsin 53050-0026
 Phone 920-387-4120
 FAX 920-387-4189