



Assembly Instructions A800-03 & A800-04 Document Display

Refer to illustration at left. *NOTE: the unit you are assembling may look slightly different than the illustration.*

1. Attach writing panel (1) to document protector display assembly (2) using bolts, flat washers and hex nuts (4, 5, 6). Tighten securely.

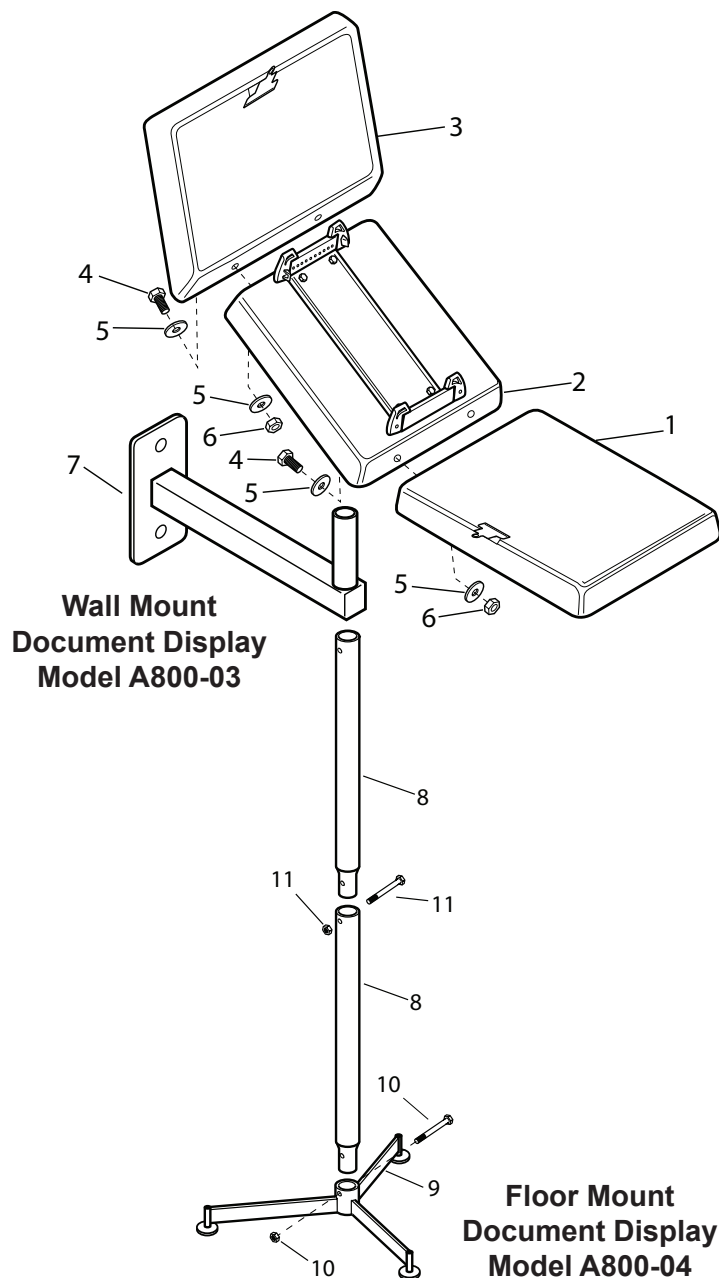
2. Attach upper display panel (3) to document protector display assembly (2) using bolts, flat washers and hex nuts (4, 5, 6). Tighten securely.

3. **Model A800-03** - Securely mount wall mount (7) to wall, column or other suitable support. Make sure nothing will interfere with proper positioning of display assembly (assembly in steps 1 & 2).

Model A800-04 - Assemble base and column with guides.

4. Slide display assembly on top of wall mount or base mount.

5. Install page protector pockets into pocket support.



P.O. Box 26 • 600 South Clark St.
Mayville, WI 53050
Phone: 920-387-4120
Fax: 920-387-4189
www.hubbell-gleason.com