

Entertainment Industry Products



Powering your **Audio, Video & Lighting** Needs

Cable & Hose Management

Set Design **Electrification**



STAGE AND SCREEN SET DESIGN PRODUCTS

Contents:	Page
Spring Driven Cable Reels	3 - 5
Power, Control, DMX and CAT5 Cable Reels with and without sliprings	
Motor Driven Cable Reels	6 - 8
Random Wrap, Monospiral and Level-Wind Reels equipped with AC/DC motor or springs	
Cord and Hose Reels	9
Rotary Limit Switches	10
Twist Lock Plugs	11
Torque Reels	12

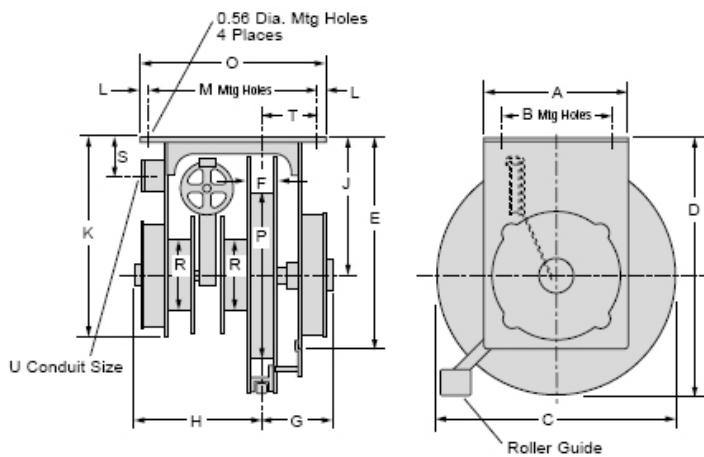


Entertainment Industry Products

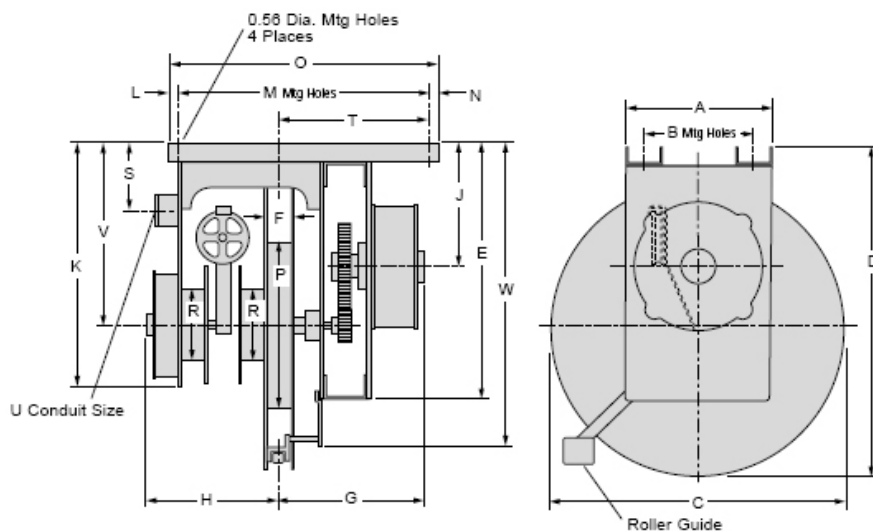
Cable Reels

Gleason Series 'WB' Cable Reels without Slip Rings

Gleason Series 'WB' Cable Reels are continuous contact reels designed for applications where any impedance must be avoided. Because WB-Reels use one continuous length of cable, there is no break from current source to consumer and that means complete preservation of transmission integrity. Models available for 30' to 120' of cable.



MODEL	A	B	C	D	E	F	G	H	J	K	L	M	N	O	P	R	S	T	U
WB-60-25	12.00	9.00	20.00	21.69	17.69	2.00	5.88	10.50	11.69	16.69	0.75	13.88	0.75	15.37	14.00	6.00	3.25	4.75	0.50
WB-75-25	12.00	9.00	27.00	28.69	20.75	2.00	6.81	10.75	15.19	19.69	0.75	13.88	0.75	15.37	22.00	6.00	6.69	4.63	0.50



MODEL	A	B	C	D	E	F	G	H	J	K	L	M	N	O	P	R	S	T	U	V	W
WB-100-60	12.00	9.00	24.00	27.19	18.19	2.00	11.75	10.50	10.19	21.56	0.75	20.75	1.50	23.00	14.00	6.00	4.19	11.44	0.75	15.19	21.69
WB-100-100-60	12.00	9.00	28.00	31.19	20.19	2.00	16.00	10.75	12.19	23.56	0.75	20.75	1.50	23.00	16.00	6.00	6.00	11.44	0.75	17.19	23.69

Entertainment Industry Products

Cable Reels

Gleason Cable-Master 'CM' Reels

Gleason Cable-Master Reels give you more for your money. They are ruggedly built and their design has been refined over many years of field use. The reels have either fully automatic or ratchet controlled spring rewind. Standard features include: rolled cable guide, ratchet lock and 600 volt slip ring. Available for 3 to 12 conductors, 20' to 70' travel.



CAT5
Cable
Available

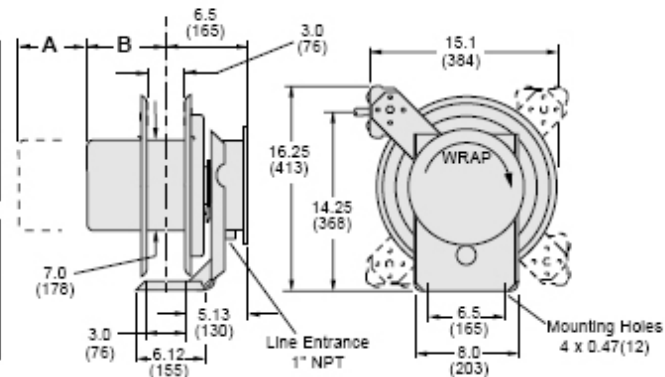
C14 Cable-Master

Dimensions A & B

Slip Ring Enclosure—C14 Reels

WIRE SIZE CODE*	SLIP RING POLES**	A	B
A, B, C, D	1 - 4	4.50 (114)	5.69 (145)
A, B, C, D	5 - 8	6.00 (152)	7.19 (183)
A, B, C, D	9 - 12	7.50 (191)	8.69 (221)
E, F	1 - 4	6.00 (152)	7.19 (183)

Reel Weight Less Cable	REEL MODEL	WEIGHT lbs (kg)
Example: C14 - A03 - C 1103	C14 - A	40 (18)
	C14 - B	42 (19)
	C14 - C	47 (21)



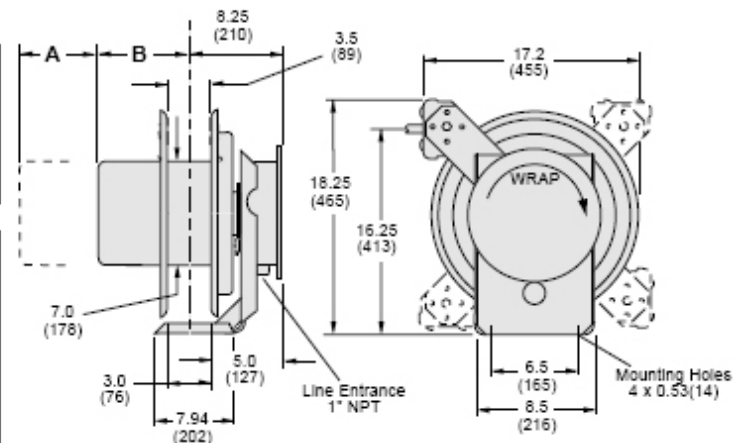
C16 Cable-Master

Dimensions A & B

Slip Ring Enclosure—C16 Reels

WIRE SIZE CODE*	SLIP RING POLES**	A	B
A, B, C, D	1 - 4	4.50 (114)	5.94 (151)
A, B, C, D	5 - 8	6.00 (152)	7.44 (189)
A, B, C, D	9 - 12	7.50 (191)	8.94 (227)
E, F	1 - 4	6.00 (152)	7.44 (189)

Reel Weight Less Cable	REEL MODEL	WEIGHT lbs (kg)
Example: C16 - A03 - J 1105	C16 - D	78 (35)
	C16 - E	59 (27)
	C16 - G	65 (29)
	C16 - H	68 (31)
	C16 - J	75 (34)
	C16 - K	75 (34)



Entertainment Industry Products

Cable Reels

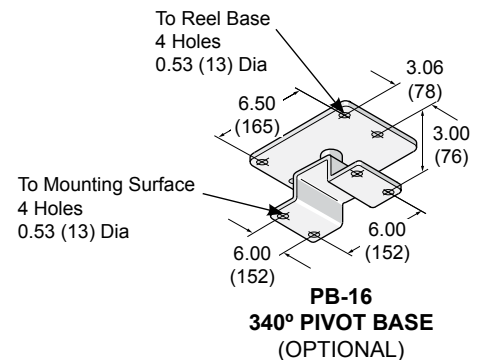
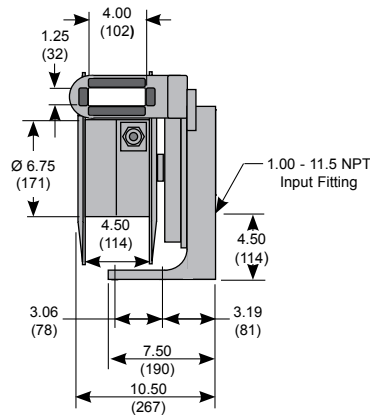
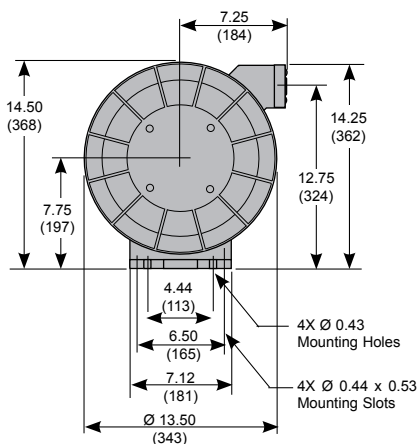
Series 'S' Spring-Driven Electric Cable Reel

Gleason Series 'S' Spring-Driven Electric Cable Reels are designed to be mounted on moving machinery. Electric current flows from your power source to the current consumer through the cable you specify. S-Reels utilize self-contained slip ring assemblies which transfer current to the cable mounted on the rotating spool. Models for 2 to 36 conductors, 30' to 120' for lift, drag and stretch applications (200' for retrieve applications)



Series 'A' Cable Reel

- Cast aluminum construction
- Fully automatic, hand-pull, optional 340° pivot base
- Unitized 20 amp slip ring in gasketed enclosure
- Maintenance free enclosed power spring
- Type SOW cable and field adjustable cord stop included on all reels
- Positive locking dog with field adjustable disengage feature

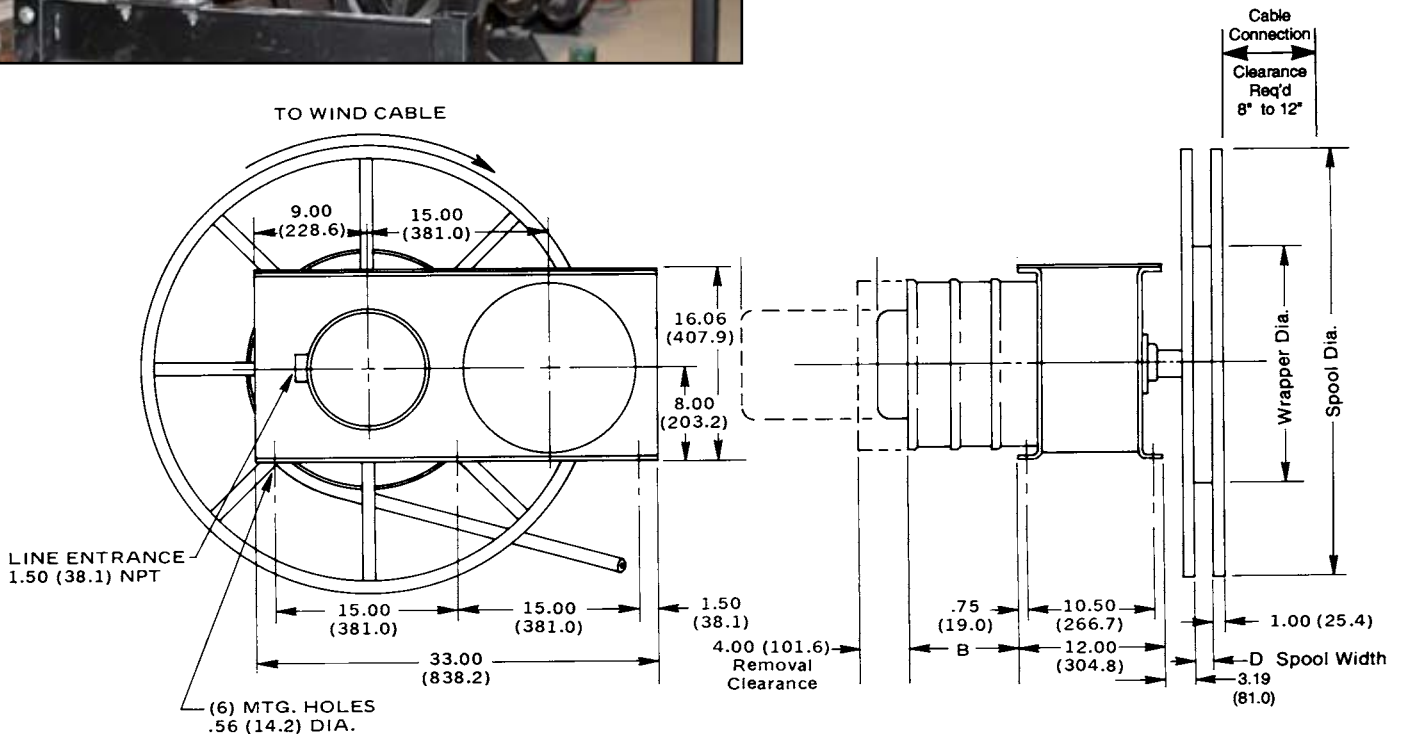
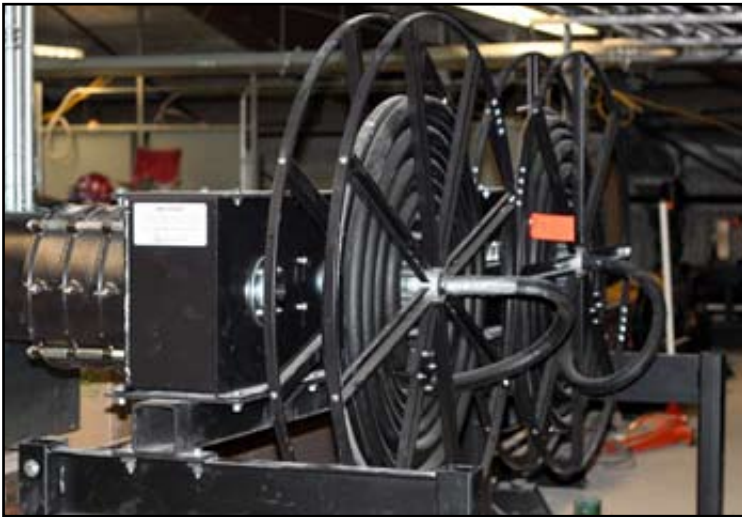


Entertainment Industry Products

Motor Reels

Gleason Motor Driven Monospiral Reels

Monospiral cable reels are designed to stack cable in a single, multiple-layer vertical configuration. SHO Series Reels are designed to provide a low cost solution for long electrical cable travel. In the SHO series reels, winding torque is provided by one or more parallel design spring motors. Both Gleason SHO reels have retrieve capacities of 350 feet of electric cable at a velocity of 150 ft./min and acceleration of 1.0 ft./sec.



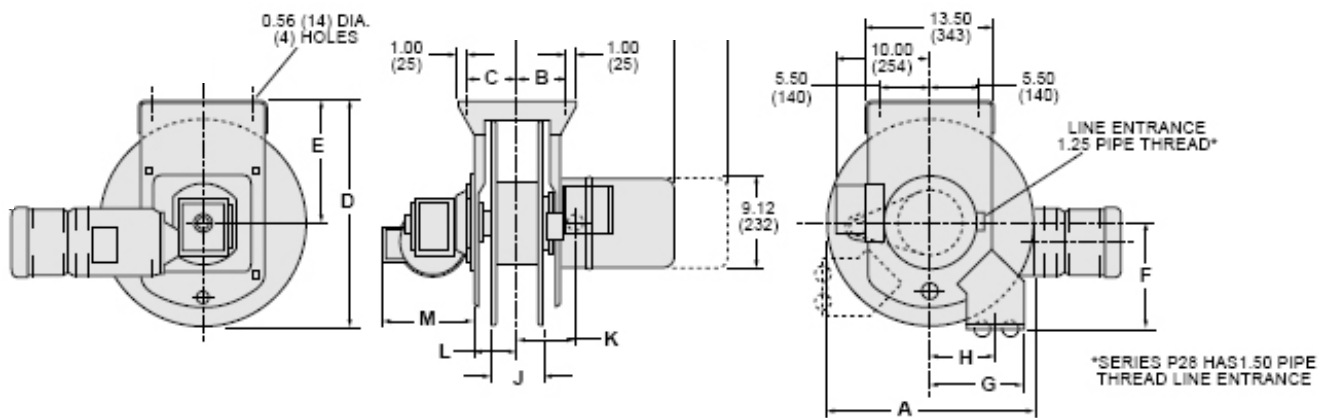
Entertainment Industry Products

Motor Reels

Gleason Motor Driven Reels

Features:

- Wind and store up to 120 feet of cable
- Average retrieval speed - 30 to 135 fpm (40.5mpm)
- Reversible 1,800 RPM, 230-460 VAC drive motor (Consult factory for DC, hazardous duty or explosion proof motor.)
- Electro-magnetic brake holds cable in place when motor is de-energized
- Limit Switch controls maximum up and down stops
- Capacities from 2–36 conductor cables, No.16 through No.10 AWG wire size (No. 8 – 1/0 AWG also available. Consult factory.)
- Four-way roller guide
- Weatherproof, dust-tight NEMA 4 (IP-54) slip-ring housing
- Welded steel frame
- Pre-lubricated, self-aligning bearings



Reel Series	A	B	C	D	E	F	G	H	J	K	L
P14	14.00 (356)	4.75 (121)	4.75 (121)	16.50 (419)	9.00 (229)	7.75 (197)	9.50 (241)	6.50 (165)	4.25 (108)	5.25 (133)	4.12 (105)
P16	16.00 (406)	5.25 (133)	5.25 (133)	18.50 (470)	10.00 (254)	11.25 (286)	9.50 (241)	6.50 (165)	5.25 (133)	5.75 (146)	4.62 (118)
P18	18.00 (457)	5.25 (133)	5.25 (133)	20.00 (508)	11.00 (279)	11.25 (286)	9.50 (241)	6.50 (165)	5.25 (133)	5.75 (146)	4.62 (118)
P21	21.00 (533)	5.25 (133)	5.25 (133)	23.00 (584)	12.50 (318)	11.25 (286)	9.50 (241)	6.50 (165)	5.25 (133)	5.75 (146)	4.62 (118)
P24	24.00 (610)	5.25 (133)	8.75 (222)	26.00 (660)	14.00 (356)	12.75 (324)	10.12 (257)	7.12 (181)	5.25 (133)	5.75 (146)	4.62 (118)
P28	28.00 (711)	6.25 (159)	9.75 (248)	30.00 (762)	16.00 (406)	15.50 (394)	11.25 (286)	8.25 (210)	7.25 (184)	6.75 (172)	5.62 (143)

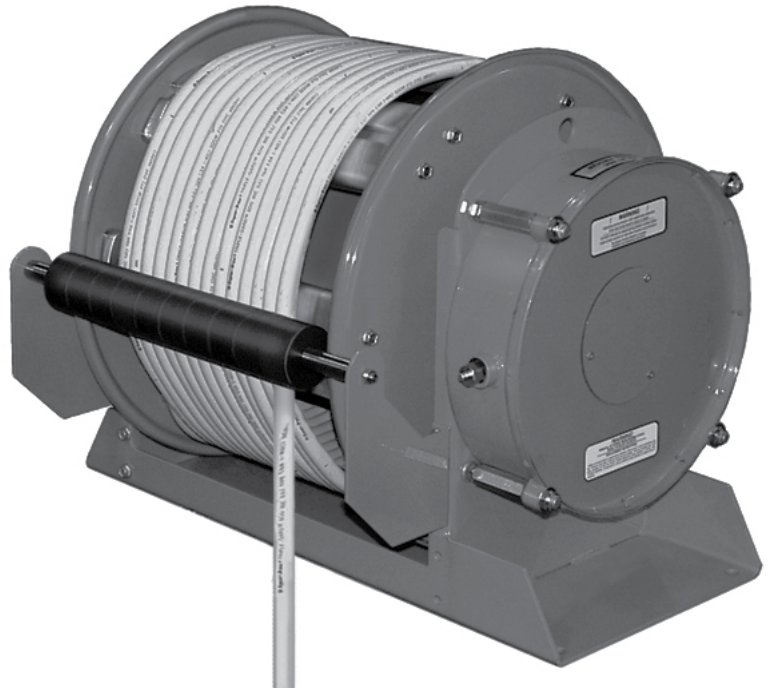
Entertainment Industry Products

Motor Reels

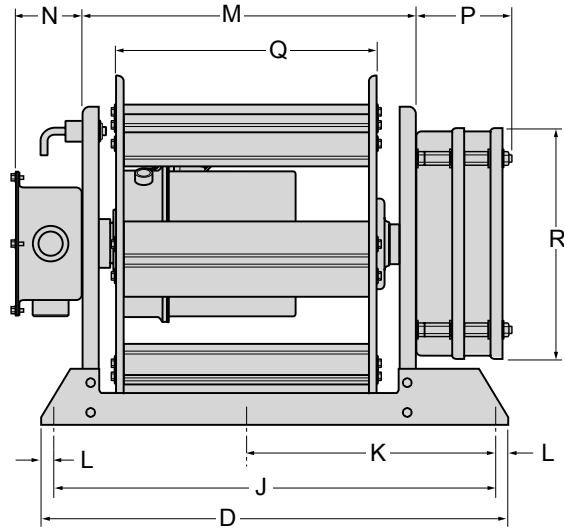
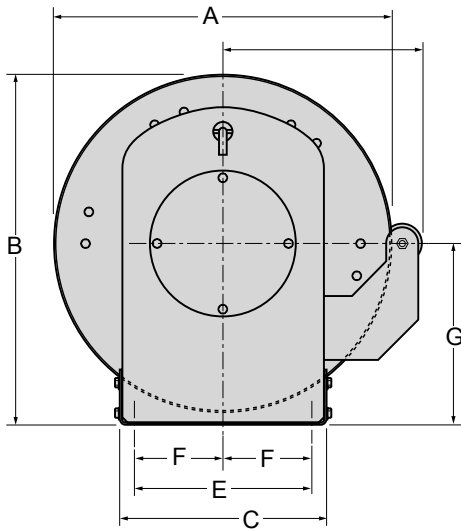
Gleason Level-Wind Low-Profile Reels

Features:

- Fit in the smaller spaces than standard profile reels. Handle same sizes and lengths of cable.
- Externally mounted springs can be easily adjusted or replaced.
- Parallel spring design provides greater application flexibility. Winding tension is tailored to your needs by increasing or decreasing number of springs and by easy spring adjustment.
- Motor and drive can also be applied in lieu of springs.
- Level wind roller eliminates cable “pile-up” on spool.
- Standard 35 and 75 amp collectors used.
- Internally mounted slipping.



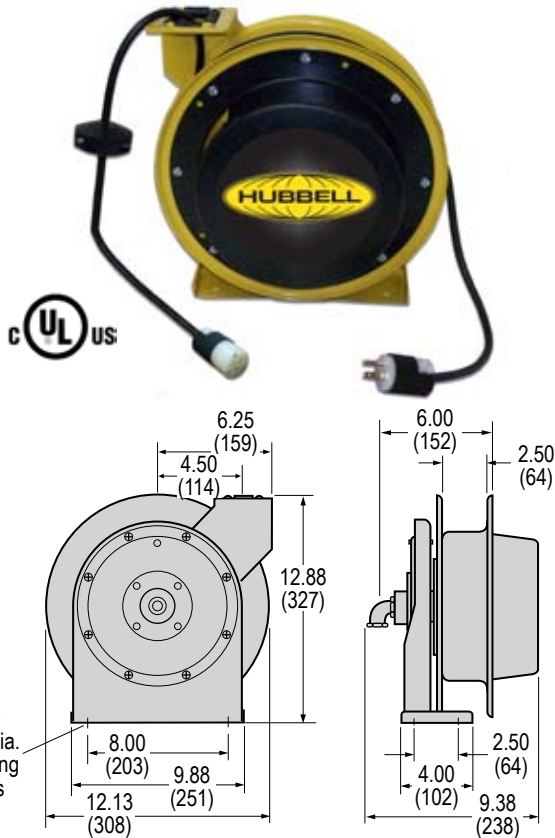
TYPICAL DIMENSIONS - Reel to handle 60' of #10/4 conductor cable, hook/rotate application.



A	B	C	D	E	F	G	H	J	K	L	M	N	P	Q	R
21.00	21.75	12.86	29.00	11.00	5.50	11.25	12.38	27.50	15.53	.75	20.72	4.00	5.98	16.00	14.34

Entertainment Industry Products

Cord & Hose Reels

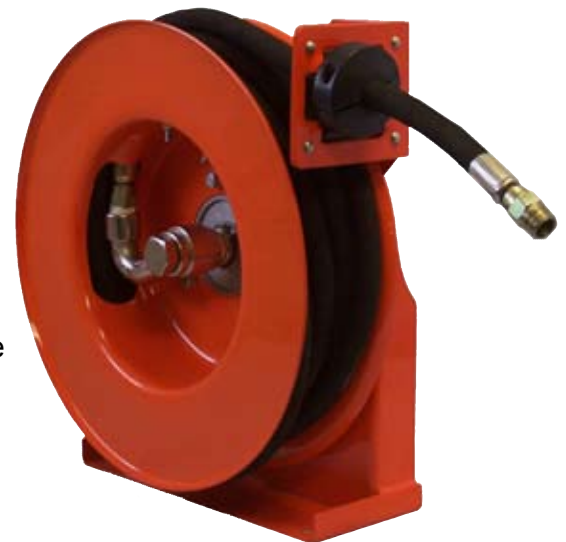


Industrial Duty Cord Reels

- End option of: fluorescent, LED or incandescent lamp; single or dual outlet; or bare cord
- Fully automatic, spring rewind
- Multi-position four roller cord guide
- 48" pigtail with three prong plug
- Cord lengths up to 70'
- Heavy steel frame with baked-on polyester finish
- Fully gasketed steel Slip-ring housing
- Mounting options for vertical or horizontal cable travel
- Optional pivot base

Series 'GH' Hose Reel

- Six frame sizes and six spool widths
- 1/4", 3/8", 1/2" and 3/4" (6, 9, 13, 19 mm) low pressure hose
- High quality swivel joints designed with seals for each specific fluid application
- Rugged steel construction
- Full flow shaft and swivel
- Hand pull, fully automatic rewind
- Mount from ceiling, wall or under bench
- Spring motors are safety banded and lubricated for long, trouble free performance
- Positive ratchet lock
- Multi-position four roller hose guide
- Adjustable hose stop
- Orange polyester baked on finish



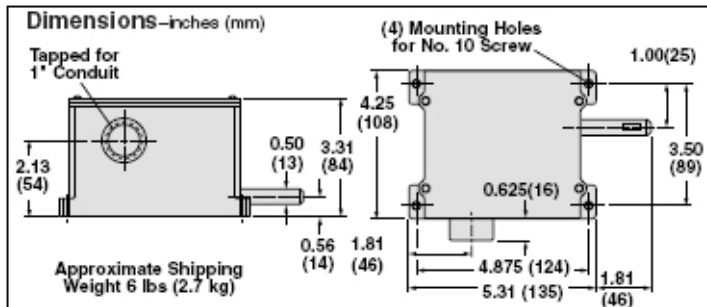
Entertainment Industry Products

Rotary Limit Switches

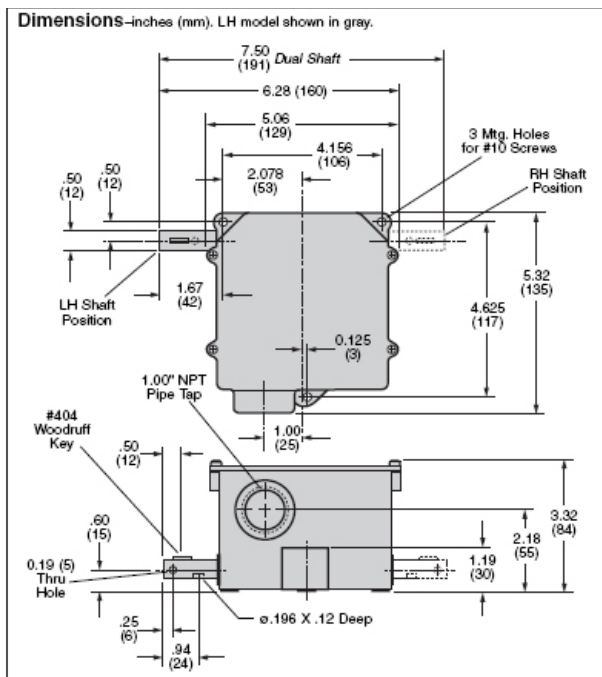
Series 54 and 55 Rotary Limit Switches

Features:

- Four or Six gear ratios
- Right Hand, Left Hand or Dual Shaft models (RH shown in photos)
- Two, Three or Four switches
- Mount in any position
- Easy to wire
- Rugged die cast enclosures
- NEMA 4 construction (Exceeds requirements of NEMA 1 and NEMA 12)
- #404 Woodruff key slot, 0.19 dia. hole and setscrew dimple
- Multi-use shaft - attach drive sprocket using Woodruff key, pin or setscrew
- Switch terminal screws for quick wiring
- Standard or Extended Dwell cams
- Easy, precision timing adjustment using standard screwdriver and provided tool
- Industrial grade bearings
- Industrial duty S.P.D.T. or D.P.D.T. snap switches are UL and CSA listed



Series 54



Series 55



Entertainment Industry Products

Twist-Lock®

Since 1929, when Harvey Hubbell obtained the first patents on Twist-Lock® devices and introduced them to the market, they have been the standard for the Entertainment Industry. Today, Hubbell Insulgrip Twist-Lock Devices continue to set the standard against which all quality industrial wiring devices are measured. The Insulgrip® line includes plugs, connectors, flanged inlets and outlets and flush mounting receptacles. With a single piece dust shield, tough nylon housing, visible identification and a roomy wiring chamber, these devices offer the most powerful cord grip in the industry.

The unparalleled acceptance and success of the Twist-Lock line is a tribute to the quality of this long lasting design. When selecting premium plugs and connectors for the Entertainment Industry, the decision is Hubbell.



Twist-Lock Devices Selection Chart NEMA Grounding Twist-Lock



Poles	Wires	Amps	Volts	NEMA Code No.	AC HP Rating†	Plug		Connector Body			
						Insulgrip		Nylon			
2	3	15	125		L5-15	0.5	HBL4720C	HBL4720CBK	HBL4729C	HBL4729CBK	
			250		L6-15	1.5	HBL4570C		HBL4579C		
			277AC		L7-15	2	HBL4770C		HBL4779C		
		20	125		L5-20	1	HBL2311	HBL2311BK	HBL2313	HBL2313BK	
			250		L6-20	2	HBL2321	HBL2321BK	HBL2323	HBL2323BK	
			277AC		L7-20	2	HBL2331		HBL2333		
			480AC		L8-20	3	HBL2341		HBL2343		
		30	600AC		L9-20		HBL2351		HBL2353		
			125		L5-30	2	HBL2611	HBL2611BK	HBL2613	HBL2613BK	
	250			L6-30	2	HBL2621	HBL2621BK	HBL2623	HBL2623BK		
	277AC			L7-30	3	HBL2631		HBL2633			
	480AC			L8-30	5	HBL2641		HBL2643			
	3	4	20	125/250		L14-20	2 (1)	HBL2411	HBL2411BK	HBL2413	HBL2413BK
				3Ø250AC		L15-20	3	HBL2421		HBL2423	
				3Ø480AC		L16-20	5	HBL2431		HBL2433	
			30	125/250		L14-30	2	HBL2711	HBL2711BK	HBL2713	HBL2713BK
3Ø250AC					L15-30	3	HBL2721		HBL2723		
3Ø480AC					L16-30	10	HBL2731		HBL2733		
5		20	3ØY120/208AC		L21-20	2	HBL2511	HBL2511BK	HBL2513	HBL2513BK	
			3ØY277/480AC		L22-20	5	HBL2521		HBL2523		
			3ØY347/600AC		L23-20		HBL2531		HBL2533		
			30	3ØY120/208AC		L21-30	3	HBL2811	HBL2811BK	HBL2813	HBL2813BK
3ØY277/480AC		L22-30		10	HBL2821		HBL2823				
		3ØY347/600AC		L23-30		HBL2831		HBL2833			

Flat Cable Cord Clamp Devices

4	5	20	3ØY120/208AC		L21-20	2	HBL2511FC		HBL2513FC
		30	3ØY120/208AC		L21-30	3	HBL2811FC		HBL2813FC



Midget Twist-Lock

Poles	Wires	Amps	Volts	NEMA Code No.	Plug	Plug Insulation Displacement	Connector	Connector Insulation Displacement
2	2	15	125	ML-1	HBL7465V		HBL7464V	
2	3	15	125	ML-2	HBL7494	HBL7494V	HBL7593	HBL7593V
3	3	15	125/250	ML-3	HBL7485	HBL7485V	HBL7484	HBL7484V

†The Horsepower Ratings are the Phase Values. The Values in Parentheses are Phase to Neutral.

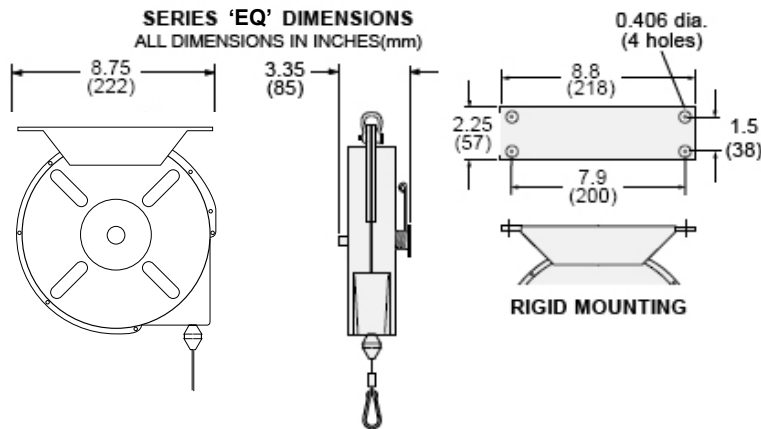
Note: Horsepower Ratings are Applicable to Plugs and Receptacles Only and Do Not Apply to Connectors, Flanged Inlets and Outlets.

Entertainment Industry Products

Torque Reels

Series 'EQ' Torque Reels

Hubbell Torque Reels feature rugged steel construction with black polyester baked finish, reinforced hanging bracket with forged clevis for ceiling mounting and extra holes for safety chain attachment. Spring is permanently lubricated and provides constant tension, adjustable for balancing tool in normal working zone (6 - 18 in. [152-457 mm]). Cable is 920 lb. (414 kg) test 0.09" (2.3 mm) dia. 7 x 7 strand galvanized steel aircraft cable nylon covered to 0.12" (3.0 mm) O.D. Includes safety tool clip and adjustable cable stop.



Gleason® Spring & Motor Driven Reels



Gleason Reel Corp.

600 S. Clark St.
Mayville, WI 53050

Ph: 920-387-4120 · Fax: 920-387-4189
www.hubbell-gleason.com