

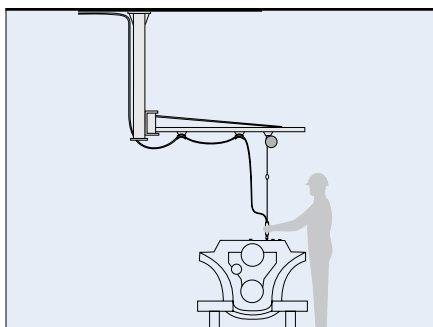
JIB KITS

CEILING MOUNTED, 50lb. CAPACITY JIB KITS

JIBS



Hanging a jib from an overhead structure may be the best way to put a workstation where it's needed. These kits free floor space and allow for greater plant layout flexibility. Jibs have steel WS50 booms in length shown. Vertical columns include a heavy duty 3ft. (0.9m) safety chain at the top and safety plate at the bottom to prevent boom from sliding off. The columns are 3" O.D. x 2.5" I.D. (76 x 64mm) welded steel tubing.



CEILING MOUNTED JIB KIT

Includes 6 ft.(1.8m) swing boom, vertical column with integral safety chain and safety plate, 3 U-bolts, 1 balancer trolley, 1 hose/cable trolley for festoon, 1 end stop and 1 end cap.

CEILING MOUNTED COLUMNS

Do not include booms but do include safety plate and integral safety chain.

BOOM AND TROLLEY DETAILS

Sizes and configurations other than those shown may be made-up by ordering individual components

Kit numbers listed assume typical 3/8" (9mm) I.D. hose with saddle to handle O.D. range of 0.60"-0.94" (15-24mm). If optional saddle with O.D. range of 0.31"-0.59" (08-15mm) is desired, substitute "1" for "2" as last digit of model number. Example: WCS-060301.

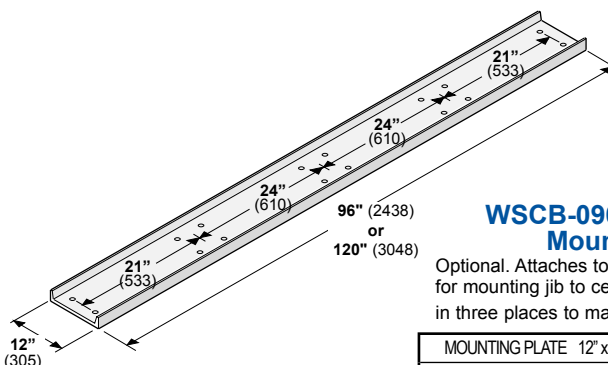
WS50 Rail Booms for loads up to 50 lbs. (22.5kg)

BOOM LENGTH ft. (m)	BOOM TYPE	VERTICAL COLUMN ft. (m)	MODEL NUMBER w/ BOOM	MODEL NUMBER w/o BOOM
6.0 (1.8)	Swing	3.0 (0.9)	WCS-060302	WS00-CC03
6.0 (1.8)	Swing	5.0 (1.5)	WCS-060502	WS00-CC05
6.0 (1.8)	Swing	6.0 (1.8)	WCS-060602	WS00-CC06
6.0 (1.8)	Swing	7.0 (2.1)	WCS-060702	WS00-CC07
6.0 (1.8)	Swing	8.0 (2.4)	WCS-060802	WS00-CC08
6.0 (1.8)	Swing	9.0 (2.7)	WCS-060902	WS00-CC09

STOPS TO LIMIT BOOM SWING

Manual Boom Stop-50 lb. Jibs - **Model W5S-SK**.

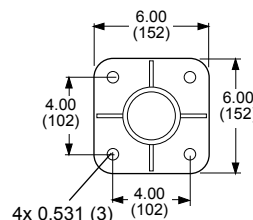
Many people want the flexibility a swing boom provides but need to limit swing in one or both directions. The boom stop (below) has manually positioned (screw-in) stops that limit swing to 15°, 30°, 45°, or 60° in either direction. Stops are easily installed on 50 lb. capacity swing booms without drilling or welding.



WSCB-096 & WSCB-120 Mounting Plate

Optional. Attaches to ceiling cross members for mounting jib to ceiling structures. Pre-drilled in three places to match jib base.

MOUNTING PLATE 12" x 96" (304 x 2438)	WSCB-096
MOUNTING PLATE 12" x 120" (304 x 3048)	WSCB-120



WCS-060902

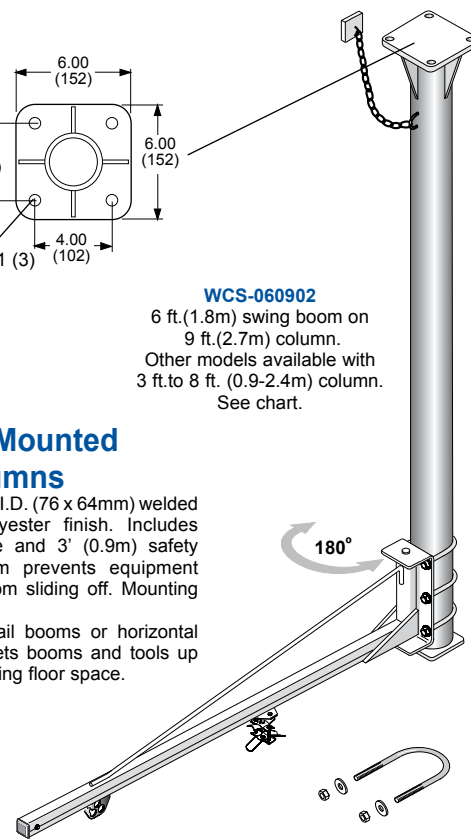
6 ft.(1.8m) swing boom on 9 ft.(2.7m) column.
Other models available with 3 ft. to 8 ft. (0.9-2.4m) column. See chart.

Ceiling Mounted Columns

Rugged 3.0" O.D. x 2.5" I.D. (76 x 64mm) welded steel tube. Beige polyester finish. Includes integral mounting base and 3' (0.9m) safety chain. Plate at bottom prevents equipment mounted on column from sliding off. Mounting hardware not included.

USE: Supports tool rail booms or horizontal support members. Gets booms and tools up and out of the way, freeing floor space.

SAFETY PLATE



WS-UB U-BOLT ASSEMBLY

Zinc plated steel

USE: Secures boom bracket or other flat plates to vertical column.

NOTE: Three required to mount boom.