

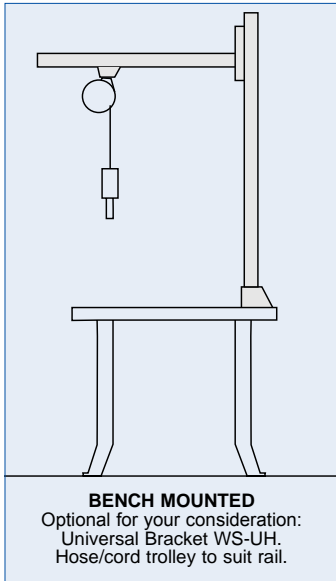
JIB KITS

BENCH OR FLOOR MOUNTED, 30 lb. CAPACITY

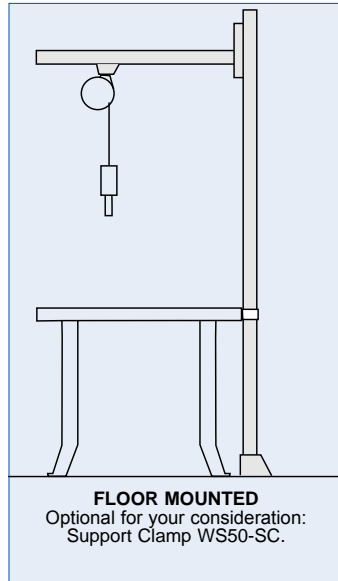
JIBS



Jib kits feature either fixed or swing booms mounted on vertical columns. The boom may be adjusted vertically higher or lower on the column to suit your specific application. Vertical columns are typically 4 ft. (1.2m) for bench mounting and 7 ft. (2.1m) for mounting on the floor. If floor mounted, the optional support clamp (WS50-SC) fastened to wall or back of bench is recommended.



BENCH MOUNTED
Optional for your consideration:
Universal Bracket WS-UH.
Hose/cord trolley to suit rail.

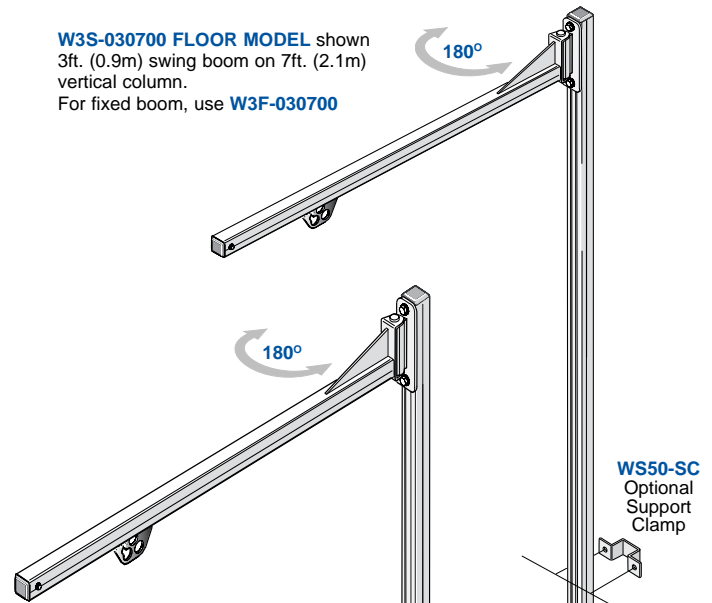


FLOOR MOUNTED
Optional for your consideration:
Support Clamp WS50-SC.

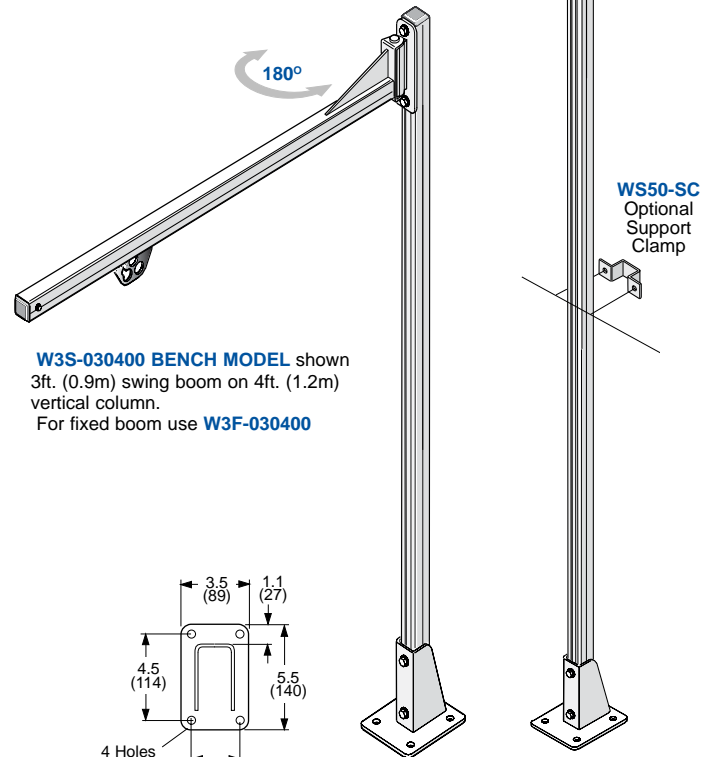
JIB KITS with W3F or W3S prefix include (1) 3' WS30 boom, (1) WS50 vertical column, (1) mounting base, (2) end caps, (1) end stop, (1) balancer trolley (1" hole diameters), and all hardware. Fixed booms are mounted to the vertical columns with angle brackets, also included.

ALL KITS include hardware needed for assembly. Fasteners for mounting base to bench top or floor not included.

Sizes and configurations other than those shown may be made-up by ordering individual components. Refer to other pages in this catalog.



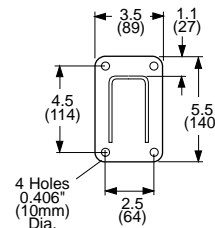
W3S-030700 FLOOR MODEL shown
3ft. (0.9m) swing boom on 7ft. (2.1m)
vertical column.
For fixed boom, use **W3F-030700**



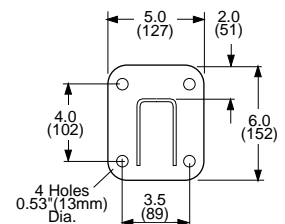
W3S-030400 BENCH MODEL shown
3ft. (0.9m) swing boom on 4ft. (1.2m)
vertical column.
For fixed boom use **W3F-030400**

These Jibs use WS30 Rail rated for loads up to 30 lbs. (13.5 kg)

BOOM LENGTH ft. (m)	BOOM TYPE	VERTICAL COLUMN ft. (m)	MODEL NUMBER
3.0 (0.9)	Swing	4.0 (1.2)	W3S-030400
3.0 (0.9)	Fixed	4.0 (1.2)	W3F-030400
3.0 (0.9)	Swing	7.0 (2.1)	W3S-030700
3.0 (0.9)	Fixed	7.0 (2.1)	W3F-030700



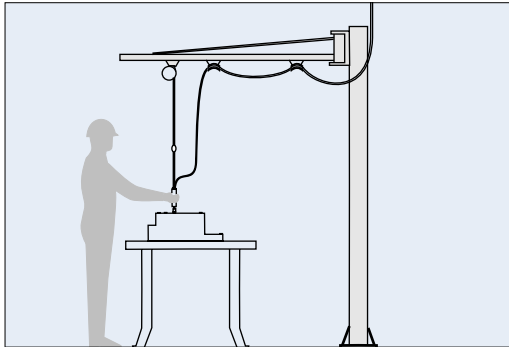
WS50-TB
MOUNTING BASE INCLUDED
Use Optional WS50-TBS Backing Plate



WS50-MB
MOUNTING BASE INCLUDED
Use Optional WS50-MBS Backing Plate



Jib Kits feature heavy duty I-beam booms or C-rail booms. Vertical columns include pre-drilled, gusseted mounting bases. 50 lb. capacity kits are available with either fixed or swing booms up to 18' (5.4m) long. Columns available to 10' (3m) high. Booms may be mounted higher or lower on the column to suit your specific application. 150 lb. capacity kits have swing booms up to 10' (3m) long. Columns are 10' (3m) high. Booms on 150 lb. and 300 lb. capacity jibs are mounted to top of column with tapered bearing and heavy-duty rollers allowing full 360° swing. Vertical columns for 50 lb. capacity jibs also available separately.



JIB KITS include (1) boom, (1) vertical column with integral mounting base, and assembly hardware. **Does not include END CLIP WS-EC.** Order End Clip separately.

KIT NUMBERS assume festoon trolleys for typical 3/8"(9mm) I.D. hose with saddle to handle O.D. range of 0.60"-0.94"(15-24mm). If optional saddle with range of 0.31"- 0.59"(08-15mm) is desired, substitute "1" for "2" as last digit of model number. Example: W5S-060301

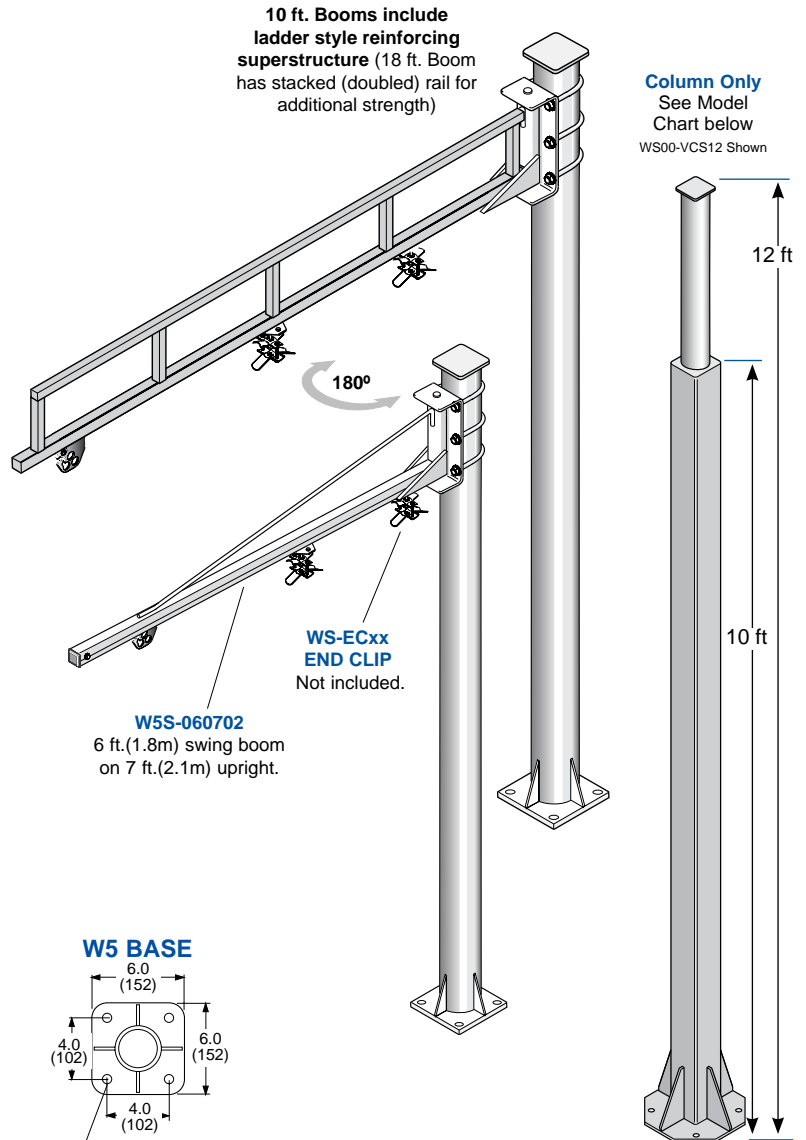
*** STOPS TO LIMIT BOOM SWING**

Manual Boom Stop -50 lb. Jibs...**Model W5S-SK.**
Spring Loaded Boom Lock-50 lb. Jibs...**W5S-BMLK.**
W5S-SK & W6S-SK consist of two machined steel stops (one for each direction) and all required hardware.
W5S-BMLK includes spring loaded lock, brackets and all hardware. All field installed only.

MODEL CHART-HEAVY DUTY JIBS

Booms are WS50 rail for loads up to 50 lbs. (22.5kg). Vertical columns are 3" O.D. x 2.5" I.D. (76mm x 64mm) welded steel tubing. Vertical column for 18' boom is 6" square steel tube with 3" dia. x 2' mounting shaft at top.

BOOM LENGTH ft. (m)	BOOM TYPE	VERTICAL COLUMN ft. (m)	MODEL NUMBER
6.0 (1.8)	Fixed	3.0 (0.9)	W5F-060302
6.0 (1.8)	Swing	3.0 (0.9)	W5S-060302
10.0 (3.0)	Fixed	3.0 (0.9)	W5F-100302
10.0 (3.0)	Swing	3.0 (0.9)	W5S-100302
6.0 (1.8)	Fixed	7.0 (2.1)	W5F-060702
6.0 (1.8)	Swing	7.0 (2.1)	W5S-060702
10.0 (3.0)	Fixed	7.0 (2.1)	W5F-100702
10.0 (3.0)	Swing	7.0 (2.1)	W5S-100702
6.0 (1.8)	Fixed	9.0 (2.7)	W5F-060902
6.0 (1.8)	Swing	9.0 (2.7)	W5S-060902
10.0 (3.0)	Fixed	9.0 (2.7)	W5F-100902
10.0 (3.0)	Swing	9.0 (2.7)	W5S-100902
18.0 (5.4)	Swing	12.0 (3.6)	W5S-181202
*Swing Stop Kit (50 lb. jibs only)			W5S-SK
*Boom Lock Kit (50 lb. jibs only)			W5S-BMLK



MODEL CHART VERTICAL COLUMNS

COLUMN LENGTH ft. (m)	MODEL NUMBER
3.0 (0.9)	WS00-VC03
5.0 (1.5)	WS00-VC05
6.0 (1.8)	WS00-VC06
7.0 (2.1)	WS00-VC07
8.0 (2.4)	WS00-VC08
9.0 (2.7)	WS00-VC09
10.0 (3.0)	WS00-VC10
11.0 (3.3)	WS00-VC11
12.0 (3.6)	WS00-VC12

Column for W5S-181202

May be used with any 50 lb. capacity boom.

12.0 (3.6)	WS00-VC12
------------	-----------

