

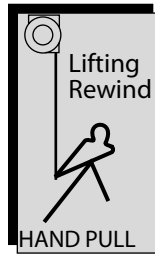


Workplace Solutions

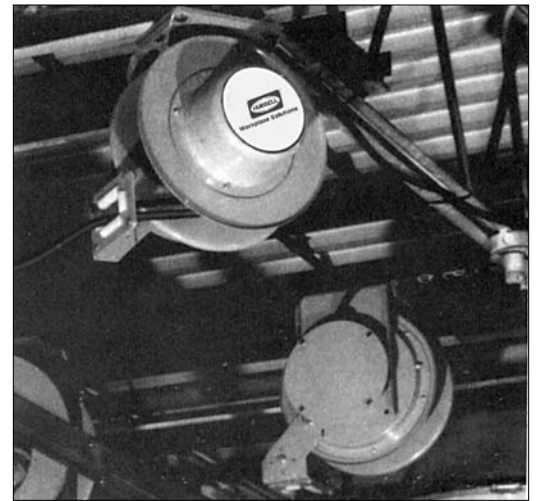
Heavy Duty ELECTRIC CABLE REELS

SERIES "G" FEATURES GENERAL PURPOSE MODELS

- All-Welded Solid Steel Construction
- Slip Rings in NEMA 4 Enclosure
- Generously Sized Junction Box
- Heavy Duty Mounting Base
- Safetychange® Spring Motor
- Weatherproof Gasket on Spring Motor
- Positive Ratchet Lock with Disengage
- Multi-position Cable Guide (Field Adjustable)
- Orange Polyester Baked-On Finish
- Cable Included
- Field Adjustable Cable Stop Included
- Optional 340° Pivot Base
- Contact Factory If Mount Height Is More Than 20 ft.



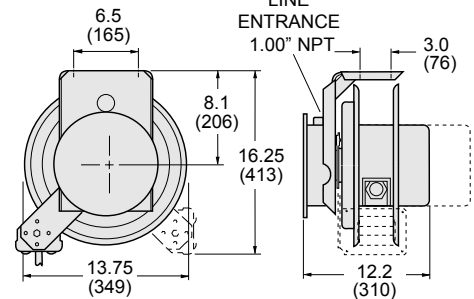
Models listed below are UL and CSA listed.



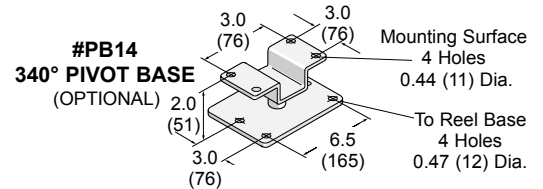
Series "G" Model Chart *CABLE IS INCLUDED*

CABLE DATA				REEL CATALOG NUMBER	FLANGE DIA. in. (mm)	WEIGHT COMPLETE lbs. (kg)	340° BASE (OPTIONAL)	CABLE STOP (INCLUDED)	
RATING @600V	AWG	NO. COND	LENGTH* ft. (m)						
10 Amp	16	3	20 (6.0)	G-232	14 (356)	39 (17.6)	PB14	CP-2	
			30 (9.0)	G-224		42 (18.9)			
			40 (12.0)	G-231		48 (21.6)			
			45 (13.5)	G-228		49 (22.0)			
			60 (18.0)	G-429		82 (36.9)			PB16
8 Amp	16	4	20 (6.0)	G-233	14 (356)	40 (18.0)	PB14	CP-2	
			30 (9.0)	G-234		44 (19.8)			
			40 (12.0)	G-244		48 (21.6)			
			50 (15.0)	G-238		49 (22.0)			
			60 (18.0)	G-439		82 (36.9)			PB16
7 Amp	16	6	45 (13.5)	G-206	14 (356)	54 (24.3)	PB14	CP-3	
			50 (15.0)	G-26B		56 (25.2)			
			40 (12.0)	G-28B		56 (25.2)			
			45 (13.5)	G-38B		56 (25.2)			
			10	G-30B		54 (24.3)			
15 Amp	14	3	20 (6.0)	G-331	14 (356)	40 (18.0)	PB14	CP-2	
			30 (9.0)	G-253		46 (20.7)			
			40 (12.0)	G-334		50 (22.5)			
			50 (15.0)	G-358		54 (24.3)			
			70 (21.0)	G-459		84 (37.8)			PB16
12 Amp	14	4	20 (6.0)	G-342	14 (356)	40 (18.0)	PB14	CP-2	
			25 (7.5)	G-343		44 (19.8)			
			30 (9.0)	G-363		48 (21.6)			
			40 (12.0)	G-344		52 (23.4)			
			50 (15.0)	G-367		56 (25.2)			
10 Amp	14	6	35 (10.5)	G-36C	14 (356)	52 (23.4)	PB14	CP-3	
			50 (15.0)	G-46C		92 (41.4)			PB16
			25 (7.5)	G-38C		52 (23.4)			
			30 (9.0)	G-48C		49 (22.1)			
			10	G-40C		53 (23.9)			
20 Amp	12	3	20 (6.0)	G-332	14 (356)	40 (18.0)	PB14	CP-2	
			25 (7.5)	G-383		44 (19.8)			
			30 (9.0)	G-333		46 (20.7)			
			35 (10.5)	G-385		47 (21.2)			
			45 (13.5)	G-435		55 (24.8)			
16 Amp	12	4	50 (15.0)	G-436	16 (406)	69 (31.1)	PB16	CP-2	
			60 (18.0)	G-430		85 (38.3)			
			20 (6.0)	G-346		40 (18.0)			
			30 (9.0)	G-394		48 (21.6)			
			40 (12.0)	G-444		52 (23.4)			
14 Amp	12	6	50 (15.0)	G-445	16 (406)	86 (38.7)	PB16	CP-3	
			60 (18.0)	G-446		89 (40.1)			
			25 (7.5)	G-463		51 (23.0)			
			20 (6.0)	G-482		52 (23.4)			
			20 (6.0)	G-241		44 (19.8)			
25 Amp	10	3	25 (7.5)	G-242	14 (356)	46 (20.7)	PB14	CP-2	
			30 (9.0)	G-433		48 (21.6)			
			40 (12.0)	G-434		50 (22.5)			
			50 (15.0)	G-535		86 (28.7)			
			60 (18.0)	G-536		89 (40.1)			PB16
20 Amp	10	4	20 (6.0)	G-452	14 (356)	49 (22.1)	PB14	CP-2	
			30 (9.0)	G-443		52 (23.4)			
			40 (12.0)	G-447		88 (39.6)			
			50 (15.0)	G-545		92 (41.4)			
			20 (6.0)	G-462		52 (23.4)			PB14
20 Amp	10	6	30 (9.0)	G-564	16 (406)	80 (36.0)	PB16	CP-2	

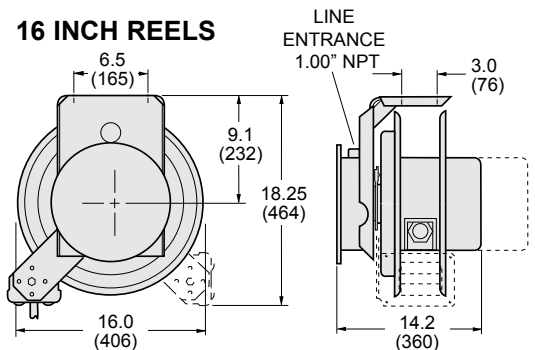
14 INCH REELS



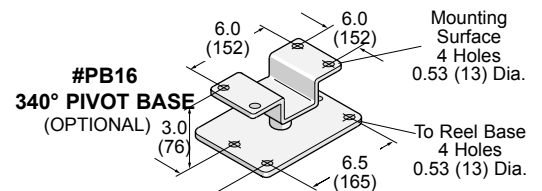
Length shown 3 or 4 conductor reel.
For 5 - 8 conductor, add 1.50" (38mm).
For 9 - 12 conductor, add 3.00" (76mm).



16 INCH REELS



Length shown 3 or 4 conductor reel.
For 5 - 8 conductor, add 1.50" (38mm).
For 9 - 12 conductor, add 3.00" (76mm).



* Length of cable listed is for ACTIVE travel.