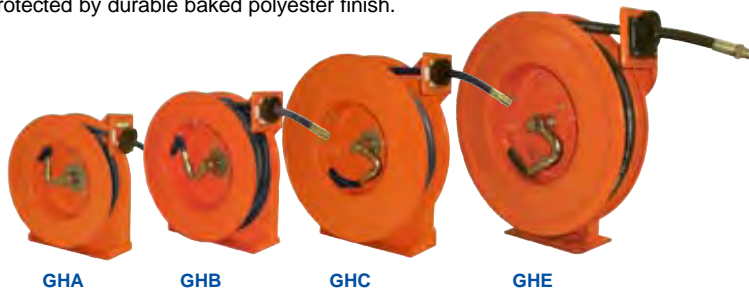
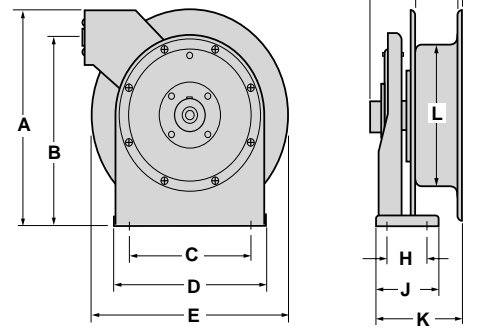


# INDUSTRIAL DUTY HOSE REELS

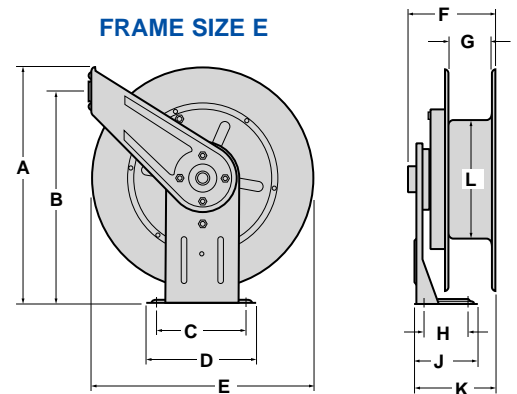
Mount from ceiling, wall or under bench. Choose 1/4", 3/8", 1/2" or 3/4" PVC hose. Full flow shaft and swivel assure maximum product delivery. Reels feature spring rewind and ratchet lock, multi-position four roller hose guide and adjustable hose stop. Rugged steel construction. Steel components protected by durable baked polyester finish.



FRAME SIZE A, B, & C



FRAME SIZE E



FRAME SIZE GHA Inches (mm)

A	B	C	D	E	F	G	H	J	K	L
12.88 (327)	11.25 (286)	8.00 (203)	9.88 (251)	12.12 (308)	5.50 (140)	2.50 (64)	2.50 (64)	4.00 (102)	5.09 (130)	8.38 (213)

FRAME SIZE GHB Inches (mm)

A	B	C	D	E	F	G	H	J	K	L
14.50 (368)	12.81 (325)	9.75 (248)	11.25 (286)	13.75 (349)	6.19 (157)	3.16 (80)	2.50 (64)	4.00 (102)	5.88 (149)	8.38 (213)

FRAME SIZE GHC Inches (mm)

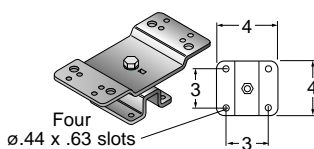
A	B	C	D	E	F	G	H	J	K	L
17.50 (444)	15.63 (397)	9.75 (248)	11.25 (286)	16.50 (419)	6.19 (157)	3.16 (80)	2.50 (64)	4.00 (102)	5.88 (130)	10.25 (260)

FRAME SIZE GHE Inches (mm)

A	B	C	D	E	F	G	H	J	K	L
20.38 (518)	18.12 (460)	7.88 (200)	9.45 (240)	19.00 (482)	6.63 (168)	3.35 (85)	3.86 (98)	5.44 (138)	6.10 (155)	11.00 (279)

HOSE DATA

DESCRIPTION	MAX PRESSURE psi	I.D. inch	O.D. inch	LENGTH feet	APPLICATION	INPUT HOSE FITTING	MODEL NUMBER	WGT (LB)
25' of low pressure 1/4" ID Hose.	300 psi	1/4	0.51	25	Air/Water	1/4 NPTF	GHA2525-L	23
35' of low pressure 1/4" ID Hose.	300 psi	1/4	0.51	35	Air/Water	1/4 NPTF	GHA2535-L	24
50' of low pressure 1/4" ID Hose.	300 psi	1/4	0.51	50	Air/Water	1/4 NPTF	GHB2550-L	26
35' of medium pressure 1/4" ID Hose.	2750 psi	1/4	0.53-0.63	35	Oil/Hyd. Fluid	1/4 NPTF	GHB2535-M	53
30' of high pressure 1/4" ID Hose.	5000 psi	1/4	0.59-0.69	30	Grease	1/4 NPTF	GHB2530-H	55
35' of high pressure 1/4" ID Hose.	5000 psi	1/4	0.59-0.69	35	Grease	1/4 NPTF	GHC2535-H	62
50' of high pressure 1/4" ID Hose.	5000 psi	1/4	0.59-0.69	50	Grease	1/4 NPTF	GHE2550-H	75
25' of low pressure 3/8" ID Hose.	300 psi	3/8	0.65	25	Air/Water	3/8 NPTF	GHA3825-L	23
35' of low pressure 3/8" ID Hose.	300 psi	3/8	0.65	35	Air/Water	3/8 NPTF	GHB3835-L	25
50' of low pressure 3/8" ID Hose.	300 psi	3/8	0.65	50	Air/Water	3/8 NPTF	GHC3850-L	36
70' of low pressure 3/8" ID Hose.	300 psi	3/8	0.65	70	Air/Water	3/8 NPTF	GHE3870-L	50
30' of medium pressure 3/8" ID Hose.	2250 psi	3/8	0.69-0.78	30	Oil/Hyd. Fluid	3/8 NPTF	GHB3830-M	50
50' of medium pressure 3/8" ID Hose.	2250 psi	3/8	0.69-0.78	50	Oil/Hyd. Fluid	3/8 NPTF	GHE3850-M	55
25' of high pressure 3/8" ID Hose.	4000 psi	3/8	0.75-0.84	25	Grease	3/8 NPTF	GHB3825-H	50
50' of high pressure 3/8" ID Hose.	4000 psi	3/8	0.75-0.84	50	Grease	3/8 NPTF	GHE3850-H	60
25' of low pressure 1/2" ID Hose.	300 psi	1/2	0.77	25	Air/Water	1/2 NPTF	GHB5025-L	30
35' of low pressure 1/2" ID Hose.	300 psi	1/2	0.77	35	Air/Water	1/2 NPTF	GHC5035-L	38
50' of low pressure 1/2" ID Hose.	300 psi	1/2	0.77	50	Air/Water	1/2 NPTF	GHE5050-L	44
25' of medium pressure 1/2" ID Hose.	2000 psi	1/2	0.81-0.90	25	Oil/Hyd. Fluid	1/2 NPTF	GHB5025-M	50
35' of medium pressure 1/2" ID Hose.	2000 psi	1/2	0.81-0.90	35	Oil/Hyd. Fluid	1/2 NPTF	GHC5035-M	53
50' of medium pressure 1/2" ID Hose.	2000 psi	1/2	0.81-0.90	50	Oil/Hyd. Fluid	1/2 NPTF	GHE5050-M	57
25' of low pressure 3/4" ID Hose.	300 psi	3/4	1.19	25	Air/Water	3/4 NPTF	GHE7525-L	50



Optional 340° Pivot Base

Model RC-PB-B (left)

Reel follows activity for smoother operation, reduced cord wear

Optional Wall Mounted Pivot Base

Model RC-WP (right)

Provides 180° pivot

NOTE: Either base fits all reel sizes.

